

PRODUCT SPECIFICATION

Name of customer: _____

Name of product: Bluetooth USB Adapter

Model NO: UT7711D2

Supplier			
Made	Stephen	Date	Nov 18,2005
Check	Robit	Date	Nov 20,2005
Approval	Robit	Date	Nov 20,2005

Customer:			
Checked		Date	
approval		Date	



CATALOGUE

1. Scope of application.....	3
2. System requirements	3
3. Operating system platforms	3
4. Quoted standard	4
5. Hardware edition	4
6. Software edition	4
7. IC/CPU	4
8. USB adapter test data sheet.....	5
9. Electric principle picture	6
10. Electric characteristics	7
11. Size and picture of Bluetooth USB adapter	8



1. Scope of application

The Adapter Instance Form:

- 1).Bluetooth headset;
- 2).Bluetooth camera;
- 3).Bluetooth digital video(DV);
- 4).Bluetooth GPS;
- 5).Bluetooth mobile car;
- 6).Bluetooth mobile phone;
- 7).Bluetooth CF card;
- 8).Bluetooth printer;
- 9).Bluetooth mouse;
- 10).Bluetooth pocket pc;
- 11).Bluetooth wap;
- 12).Bluetooth palm;
- 13).Bluetooth mp3;
- 14).Bluetooth pen;
- 15).Bluetooth keyboard;
- 16).Bluetooth browser.

2. System requirements

- 1) IBM PC/AT compatible equipped with a Pentium 300MHz(or more)
- 2) 120MB (or more) RAM
- 3) Available USB port.

3. Operating system platforms

Windows 98se/Windows Me/Windows 2000/Windows Xp.



4. Quoted standard

Bluetooth specification v1.2 and USB spec v1.1 compliant.

5. Hardware edition(H/W)

Bluetooth specification v1.2

Output class: Class2

6. Software edition(S/W)

Driver: IVT BlueSoleil 1.6 or later

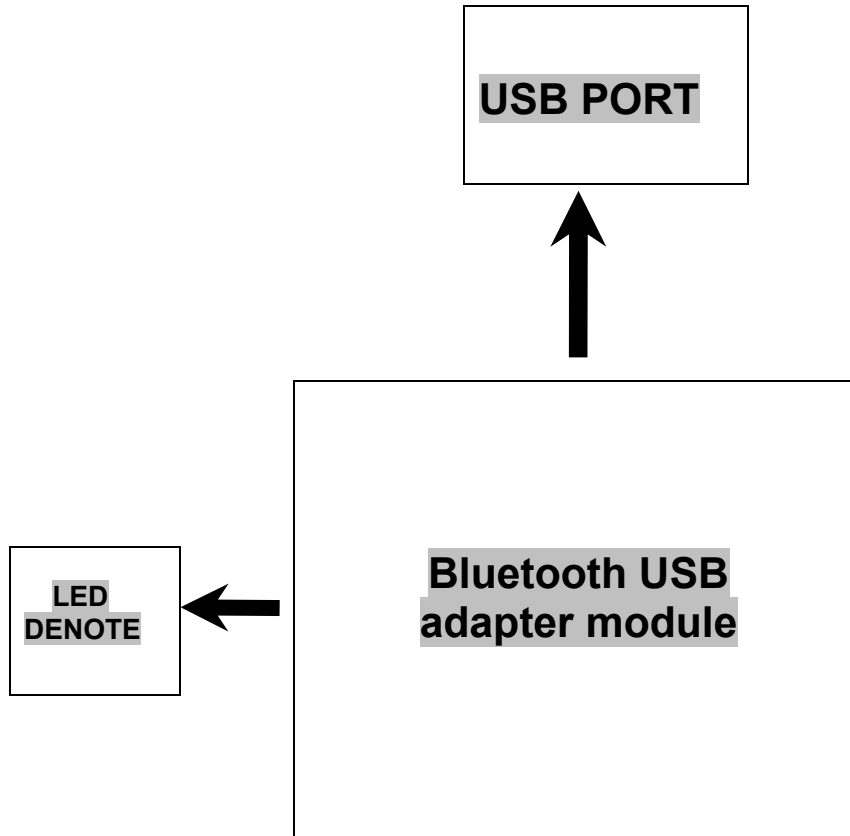
7. IC/CPU

ISSC

8. USB adapter test data sheet

NO	Test items	Test condition	Test data	Unit	Bluetooth standard
1	Operating voltage		5	V	
2	Operating current	Maximum	≤60	mA	
3	Standby current	Maximum	≤4	mA	
5	Frequency range		2.4-2.4835	GHz	Europe/USA 2.4-2.4835MHz
6	Maximum RF transmit power		2	dBm	-6 to +4dBm
7	Power control		35	dB	≥16dB
8	Initial carrier frequency tolerance	2.402GHz	12	KHz	DH1±25KHz
		2.441GHz	10		DH3±40KHz
		2.480GHz	9		DH5±40KHz
9	Carrier frequency drift	DH1	23	KHz	DH1±25KHz
		DH3	16		DH3±40KHz
		DH5	17		DH5±40KHz
10	Δf1avg "Maximum Modulation"		165	KHz	140KHz< f1avg<175KHz
	Δf2max "Minimum Modulation"		130		115KHz
	Δf2avg / Δf1avg		0.85		≥0.8
11	Sensitivity at BER≤0.1%	2.402GHz	-80	dBm	BER≤0.1% ≤-70dBm
		2.441GHz	-80		
		2.480GHz	-80		
12	Maximum received signal at 0.1% BER		3	dBm	≥-20dBm

9. Electric principle picture



10. Electric characteristics

- a) Communication distance: 20m.
- b) Modulation method: FHSS (Frequency Hopping Spread spectrum).
- c) Support PC files exchange and connected to the internet.
- d) Support PC via mobile phone connected to internet.
- e) Supported service profiles: business card exchange ,serial
Port ,dialup networking ,fax ,file transfer ,data synchronization
Network access.

11. Size and picture of USB adapter

1). USB adapter size

NO	item	Specification	remark
1	L(long)	40mm	
2	W(width)	12mm	
3	H(high)	2mm	
5	color	white	

2).USB adapter picture



3) Inner plastic box picture



4) USB Adapter Packing picture





4) Packing information

Product size: 40*12*2mm (LxWxH)

Products Gross Weight: 1.5 g

Accessories: Packing, driver CD and products

Packing Size: 153*130*16mm (LxWxH)

Carton Size:43.5*33*28.5CM

Quantity: 100pcs/Ctn

N.W: 5.6kg

G.W: 6.5kg